

Job Information		
Project Name		Type
Location		
Quantity		Date
Contact/Phone		
Notes		

DL6-15W(LED-56R-15W)

6" LED Low Profile Surface Mount / Recess Retrofit

Disk Light, 15W

Recess Lighting

Features

Body
Durable aluminum body with translucent white polycarbonate diffuser lens for low glare.

LED Characteristics
This general application light fixture features a 15 watt integrated IC DOB LED module that maintains uniform intensity producing up to 1000 lumens; with a typical CRI of 80 and a 50,000 hour life span. Available in 3000° K or 4000° K colour temperature.

Dimming
100%-10% dimming capability. This fixture is compatible with industry standard Incandescent, MLV or ELV dimmers (contact factory for listing of compatible dimmers).

Beam Spread
The fixture lens provides 108° beam spread.

Mounting
Mounting hardware is included for surface mounting into standard 4" junction boxes and recess retrofit into existing 5" or 6" pot lights.

Operating Temperature
-20° C ~ 40° C (-4° F ~ 104°F)

Environment
• For indoor use only.
• Suitable for wet locations.
• Suitable for insulated ceiling applications.

Package Includes
• Mounting hardware for 5" or 6" recessed housing retrofit.
• Medium base socket adapter.

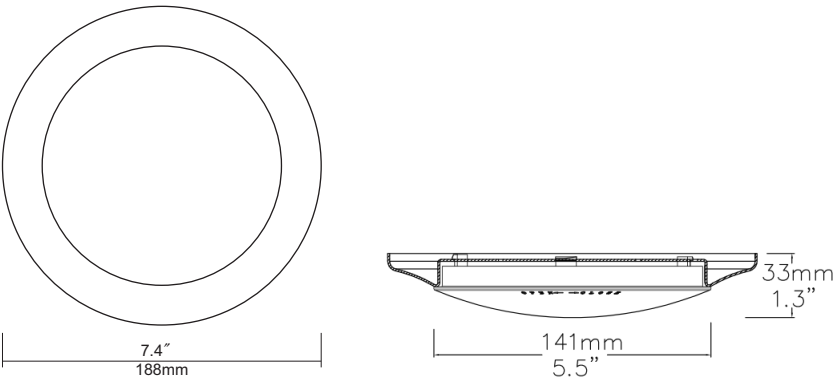
Compatible Housings
• IR-052CAT

SPECIFICATION	
Application	Ceiling mount
Approved Location	Wet
Beam Angle	120°
CCT	3000° K / 4000° K
Certification	cETLus
Colour	WH
CRI	80
Dimming	Yes
Dimming Tech	Incandescent/MLV/ELV
Input	120V AC, (220V AC Option)
LM79	Yes
LM80	Yes
Lumens	1000
Lumens per Watt	63.3 / 70
Power Factor	>0.9
Projected Life	70% @ 50,000 hrs
Warranty	5 years
Wattage	15W



Description

The DL6-15W is a 15 watt 6" low profile light disk light for surface mount or recess retrofit application. It is a high-performance, easy to install residential grade downlight solution that offers good light output, energy efficiency and streamlined design. Suitable for health-care, hospitality, offices, residential or retail applications.





Wet Location



Indoor use



Dimmable



50,000
Life hours



108
Beam Angle



ETLus
Intertek

Notes: Accessories are sold separately. For additional options please consult your Liteline representative. Due to our continued efforts to improve our products, product specifications are subject to change without notice.

Ordering Guide

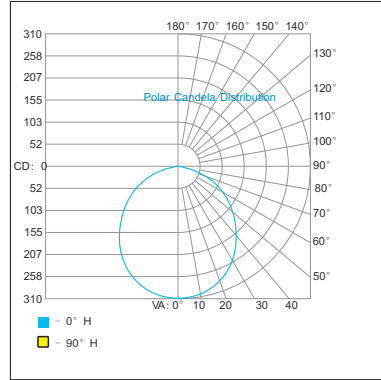
DL6-15W Colour Temperature Trim Finish

	-	
3K : 3000° K 4K : 4000° K		WH : White BN : Brushed Nickel BK : Black

Photometry

DL-15W : 6" Disk Light, 3000° K.

Zonal Lumen Summary		
Zone	Lumens	% Luminaire
0-30	235.0	29.4%
0-40	379.1	47.4%
0-60	643.8	80.6%
60-90	154.4	19.3%
70-100	66.2	8.3%
90-120	0.5	0.1%
0-90	798.2	99.9%
90-180	0.8	0.1%
0-180	799.0	100%



Compatible Dimmers

Brand	Model	Maximum Number of Fixtures per Dimmer
Lutron	DVCL-153P	11
	CTCL-153P	11
	DVELV-300P	24
	SELV-300P	24
	NTELV-300	24
	NTELV-600	48
	MAELV-600	48
	MRF2-6ND-120	12
Leviton	DV600	8
	VPE04	12
	6615	22
	VPE06	45
	VRE06	45
	6672	4
	6674	4
	IPE04	10
Cooper	6631	10
	6633-P	10
Cooper	SAL06P-W-K	10