



# Jenco Canada Inc

## Specifications



### E361401

Customer Name: \_\_\_\_\_

Model: \_\_\_\_\_ 320W **UL/cUL Listed** LED Flood light Series

Product Code: \_\_\_\_\_ STL-320AW1/ STL-320AN1/ STL-320AC1

Color: \_\_\_\_\_ Warm white / Neutral white / Cool White

Operating Voltage: \_\_\_\_\_ 100-277VAC 50/60Hz

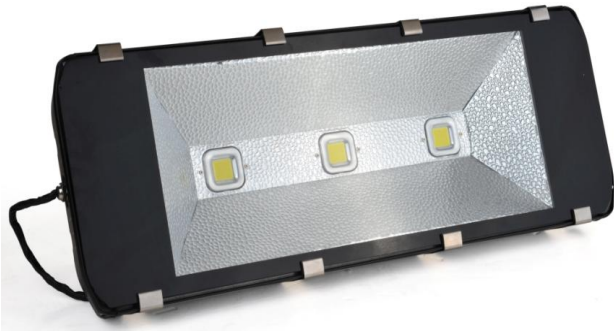
Customer Acknowledges: \_\_\_\_\_ Date: \_\_\_\_\_

---

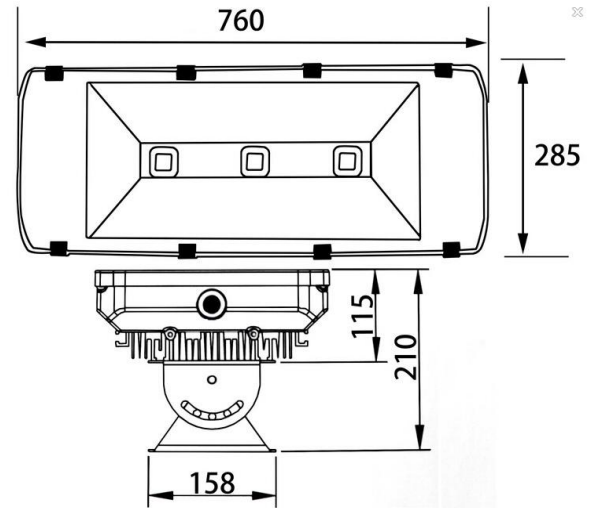
#### Head Office:

72 Devon Rd Unit # 7-8-9 | Brampton , Ont | L6T 5B4  
Off-905-794-1433 | Mobile-416-892-3959 | Skype. Jenco  
www.jencocanada.ca

Picture of real products



Dimension (mm)



## ●Features

Item	Parameter range
Power	320W
LED	CREE SMD LED
Color	Warm white/ Neutral white / Cool white
CCT	3000-3500K/4000-4500K/6000-6500K
CRI	≥75
Life-span	≥50,000 Hours
Flux	28,800lm ± 5%
Beam Angle	120°
Material	Aluminum + Toughened glass
Net Weight	MAX 13.45KG/PC
Gross Weight	MAX 14.5KG/PC
Inner box Dimension	81.5*34*26CM
Outer carton Dimension	84*35.5*28.5CM
Package Spec.	1PC/CTN,16KG/CTN

### Head Office:

72 Devon Rd Unit # 7-8-9 | Brampton , Ont | L6T 5B4  
 Off-905-794-1433 | Mobile-416-892-3959 | Skype. Jenco  
[www.jencocanada.ca](http://www.jencocanada.ca)



# Jenco Canada Inc

## ●Technical request

item	units	Parameter range
working environment	°C	-37 <sup>0</sup> C - 55 <sup>0</sup> C
Working Humidity		≤95%
storage condition	°C	-40°C~80°C
limited voltage	V	100-277VAC 50/60Hz
Input current	A	1.15-3.2
Protection Level		IP65(outdoor using)

## ●Features

Integrated applications of LED light source, the unique circuit control design, reached a high efficiency and energy saving of more than 80%.

Ultra-high brightness, high color-rendering index, is the latest type of outdoor lighting products, long life (≥ 50,000 hours).

## ●Applications

It is mainly used for outdoor flood lighting, building decoration lighting, industrial lighting, advertising lighting, etc., a street lamp light distribution system, and can be used for road lighting.

## ●Attentions

1. Please use the correct power supply.
2. Please read the product installation manual carefully before using the products.

---

### Head Office:

72 Devon Rd Unit # 7-8-9 | Brampton , Ont | L6T 5B4  
Off-905-794-1433 | Mobile-416-892-3959 | Skype. Jenco  
[www.jencocanada.ca](http://www.jencocanada.ca)