

AFR4-9

Super Thin Recessed LED Lights 4 Inch



Features:

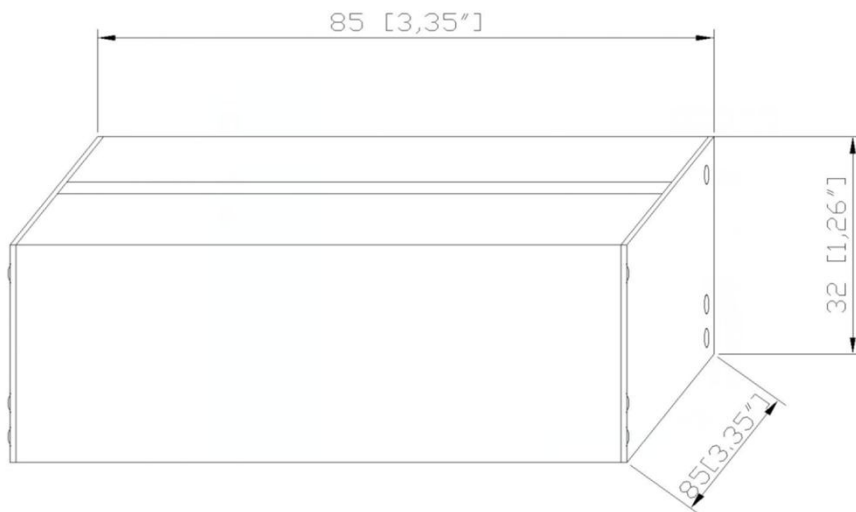
- Air-tight and damp location approved
- Perfect for limited space locations - only 1/2" thick
- Type IC rated - approved for direct contact with insulation
- Pot light housing is not required even for insulated ceilings
- Isolated driver inside junction box
- Dimmable
- WARRANTY: 3 YEARS

CONSTRUCTION:

Round 4" fixtures with integral LEDs. Isolated external driver factory installed inside junction box. One driver for every fixture required. PF>0.95. Maximum number of fixtures per standard 150W LED dimmer - 16.

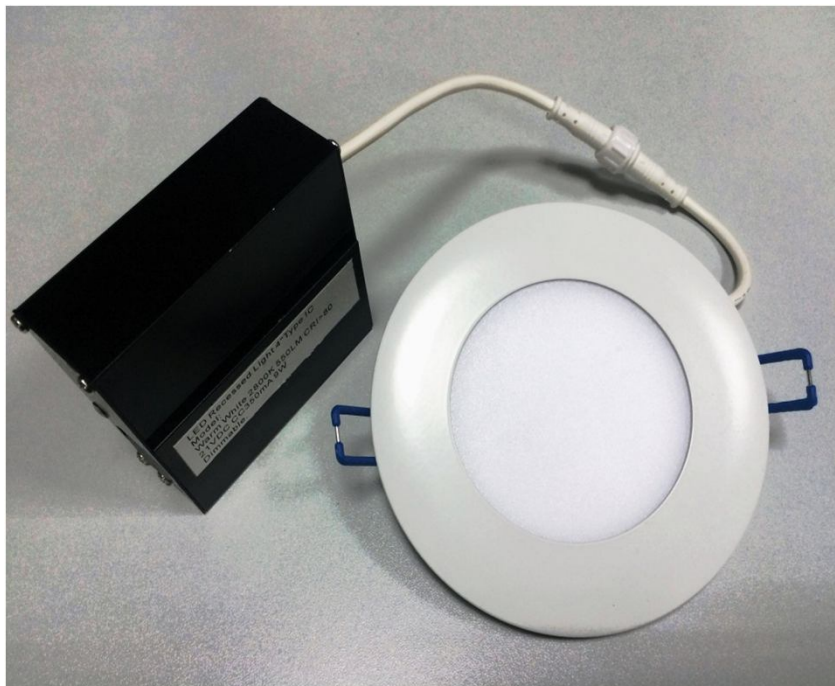
Specifications	
Led	2835 leds
Input Voltage	120V AC
Wattage (+/-5%)	9 W
Lumen (+/-5%)	550lm
Efficacy(LPW)(+/-5%)	60lm/W
Color (+/-5%)	2700K~5000K
CRI (Typical)	>80
Beam Angle	120 Degree
Dimming	Triac
Lamp life	50,000hr
Environment	Indoor,Wet
Operating temperature	-30°C +40°C



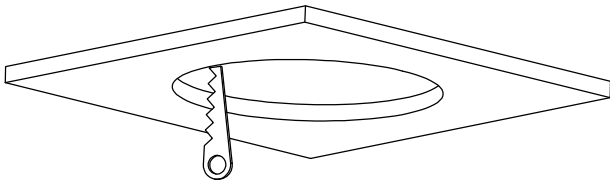


OPTIONS FOR LOCATING DRIVER: 1. Locate next to the fixture - run line voltage wiring to first junction box and "daisy chain" to the junction boxes of the other fixtures.
2. Or install all drivers at one location and use low voltage extension cables to the fixtures. Interconnectable jumper cables 6' and 20' available. Maximum run 40'.

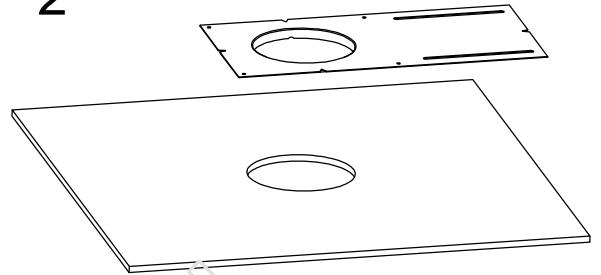
Do not use any other drivers in addition to include our driver.
Do not connect multiple fixtures to one driver.



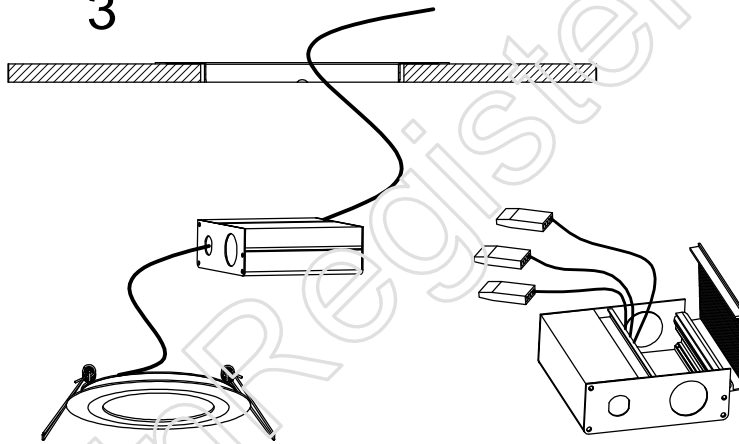
1



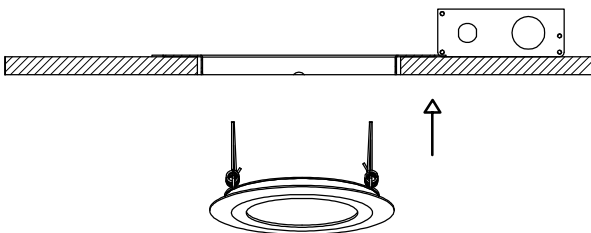
2



3



4



5

