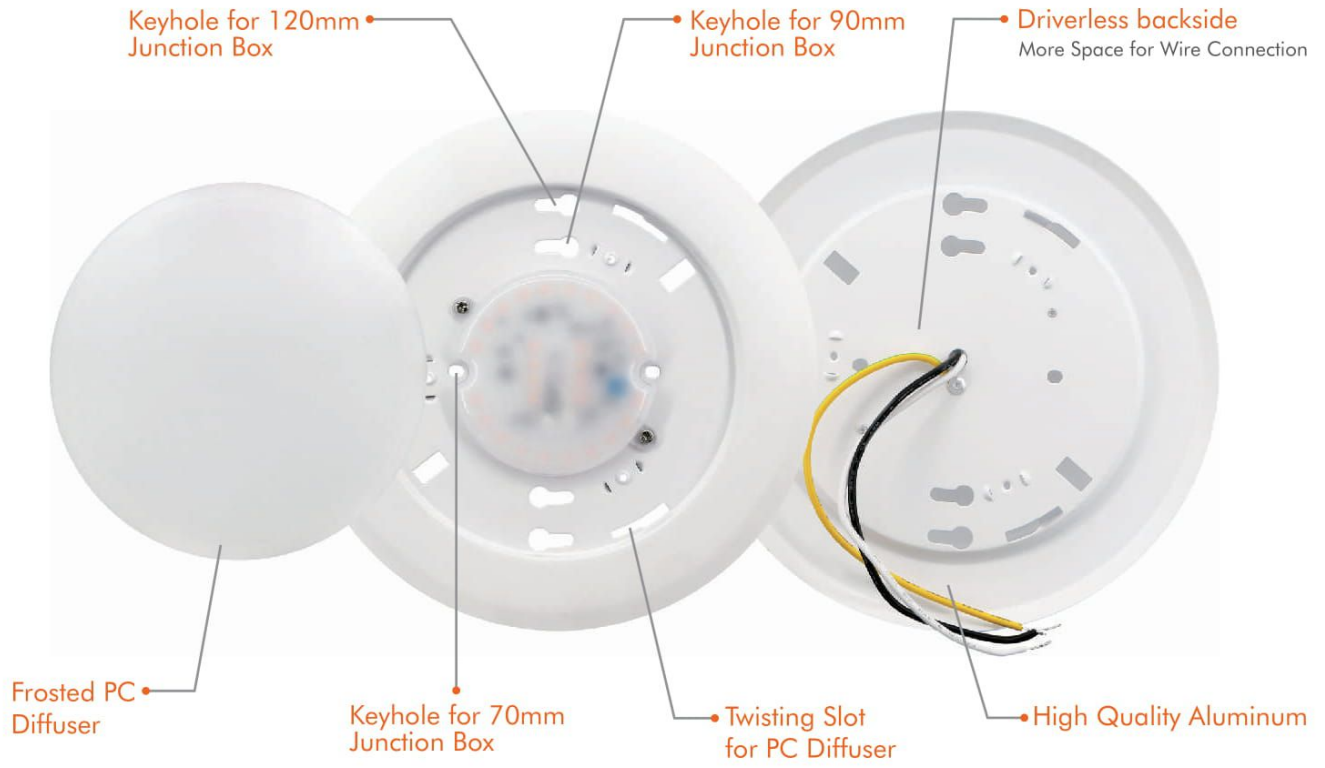


6" Ultra-thin LED Disk Light

Engineered for easy installation in any 5" or 6" recessed housing and any 2.75", 3.5", or 4.7" Junction Box
Ideal for entrances, living rooms, bedrooms, kitchens and dens as well as in wet locations, such as bathrooms, showers or outdoors under a porch or eave etc.





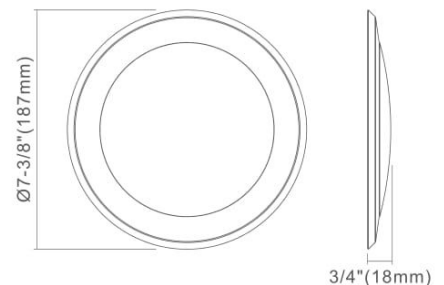
15_W	900_{Lm}	 120°	80_{CRI}
Wattage	Lumens	Beam Angle	Color Rendering Index



Features

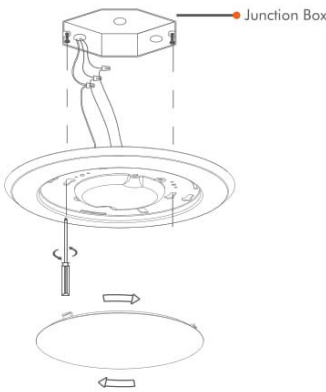
- Installs into any 5" or 6" housing can and any 2.75", 3.5", or 4.7" Junction Box
- High quality aluminum body with frosted PC diffuser
- Modern sleek thin design, 3/4" thickness allows for an ideal flush mount look, similar to that of a standard modern downlight
- Input voltage: AC 120V 50/60Hz
- Instant Start, No Flickering, No buzzing
- The lighting system is dimmable down to 10% by using an approved dimmer. Refer to dimming matrix for more information
- Plus the light features 50,000 hours of life
- Beam Angle: 120°
- Designed for indoor use only
- No traditional LED driver needed, suitable for virtually any application

Dimensions

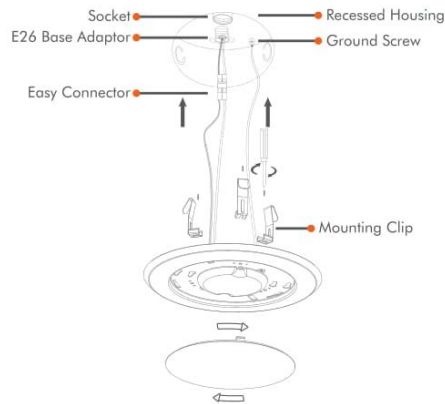


Dual Installation

4" J-Box



4" Housing



5" & 6" Housing

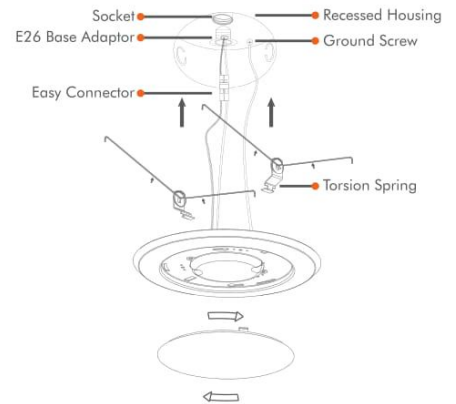


Image for actual product installation



4" Housing



5" Housing

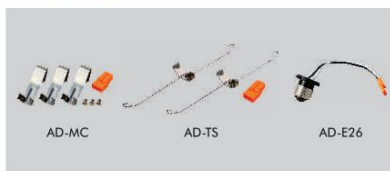


6" Housing

Ordering Guide

Picture	Model	Description
	6" Ultra-thin LED Disk Light - Warm White	
	CSC3028-LED-3KWH	6" 15W 3000K 900Lm White Finish
	CSC3028-LED-3KBK	6" 15W 3000K 900Lm Black Finish
	CSC3028-LED-3KBN	6" 15W 3000K 900Lm Brushed Nickel Finish
	6" Ultra-thin LED Disk Light - Neutral White	
	CSC3028-LED-4KWH	6" 15W 4000K 945Lm White Finish
	CSC3028-LED-4KBN	6" 15W 4000K 945Lm Black Finish
	CSC3028-LED-4KBK	6" 15W 4000K 945Lm Brushed Nickel Finish
	6" Ultra-thin LED Disk Light - Cool White	
	CSC3028-LED-5KWH	6" 15W 5000K 970Lm White Finish
	CSC3028-LED-5KBN	6" 15W 5000K 970Lm Black Finish
	CSC3028-LED-5KBK	6" 15W 5000K 970Lm Brushed Nickel Finish

Accessories



Components for Housing

AD-MC	Components for 4" New Construction & Remodel Housing (Halo, Juno, Elco, Elite, Topaz Housing)
AD-TS	Components for 5"/6" New Construction & Remodel Housing (Halo, Juno, Elco, Elite, Topaz Housing)
AD-E26	E26 Adapter for 4"/5"/6" Housing

Compatible With Eaton's Crouse-hinds Junction Boxes



TP316
for non-metallic cable
4" x 4" x 2-1/8"
(102mm x 102mm x 54mm)



TP317
for metal clad cable
4" x 4" x 2-1/8"
(102mm x 102mm x 54mm)

- TP316 - for non-metallic cable
- TP317 - for metal clad cable
- UL Listed
- Suitable for two-hour fire-rated ANSI/UL 263 when properly installed in a fire-rated ceiling or wall
- Refer to www.crouse-hinds.com

Compatible With Many Other Junction Boxes*



4" octagon light fixture/fan steel box
4" x 4" x 2-1/8"
(102mm x 102mm x 54mm)



4" octagon steel box
4" x 4" x 1-1/2"
(102mm x 102mm x 38mm)



4" square deep steel box
4" x 4" x 2-1/8"
(102mm x 102mm x 54mm)



4" square standard steel box
4" x 4" x 1-1/2"
(102mm x 102mm x 38mm)



4" round new work non-metallic light fixture/fan box
4" diameter x 2-3/16"
(102mm x 56mm)



3-1/2" round new work non-metallic ceiling box
3-1/2" diameter x 2-3/4"
(89mm x 70mm)



3-1/2" round old work non-metallic box
4-1/4" O.D. flange, 3-1/2" I.D. x 2-5/8"
(108mm O.D., 89mm I.D. x 67mm)



4" round surface mount box
4" diameter x 1-1/2"
(102mm x 38mm)
Requires SLD6RAD adapter



4" round new work non-metallic box with hanger bar assembly
4" diameter x 2-3/16" (102mm x 56mm)